

# WHY POUR MILLIONS OF GALLONS OF WATER DOWN THE DRAIN?

Use Flushless Technology to seal your pumps and agitators with a Chesterton Mechanical Seal and Enviroseal SpiralTrac Throat Bushing.



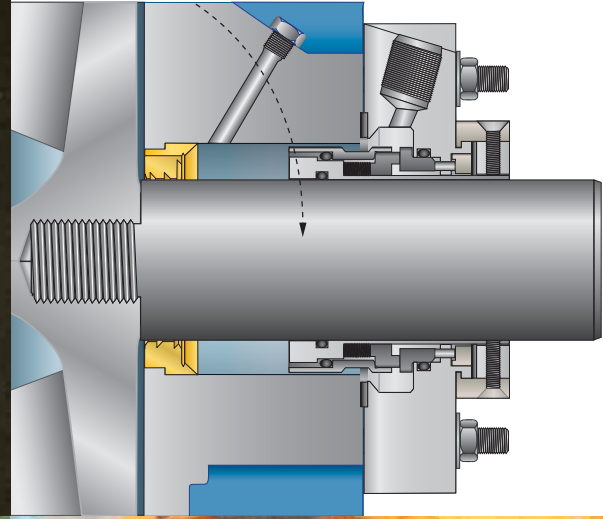
**PROGRESSIVE-SEALING.COM**

✉ SALES@PROGRESSIVE-SEALING.COM

📍 HEAD OFFICE: 8723 CAMBIE ST, VANCOUVER, BC V6P 3J9 ☎ 604 263 1562 TF 877 263 1562

**Progressive Sealing**

# MUNICIPAL WATER SYSTEMS TOTAL SOLUTIONS & UPGRADES



## PERFORMANCE AND RELIABILITY

Our Municipal Water and Wastewater Equipment Reliability Program is designed to provide system root cause failure analysis, reliability enhancement recommendations, cost benefit analysis, energy reduction strategies and ongoing end-user training.

We offer equipment repair, turnkey upgrades, machining, fabrication and composite coating restoration to increase life, reduce wear, eliminate water usage and improve hydraulic efficiency.

## SERVING WESTERN CANADA'S MUNICIPAL INDUSTRIES FOR OVER 35 YEARS

Progressive Sealing offers complete reliability enhancement for all your rotating equipment by utilizing better parts, unique and industry-leading technology, and over 150 years of cumulative industrial process experience. Reliable People, **Reliable Solutions.**

## HOW CAN WE HELP YOU?

✉ [SERVICE@PROGRESSIVE-SEALING.COM](mailto:SERVICE@PROGRESSIVE-SEALING.COM)

📍 SERVICE CENTRE: 108-18669 52ND AVE, SURREY, BC V3S 8E5 ☎ 604 373 1562

**Progressive Sealing**

